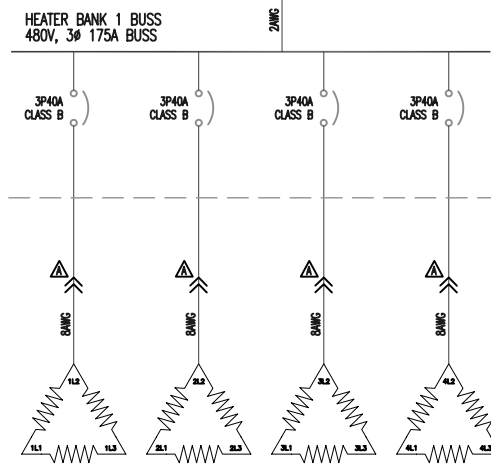
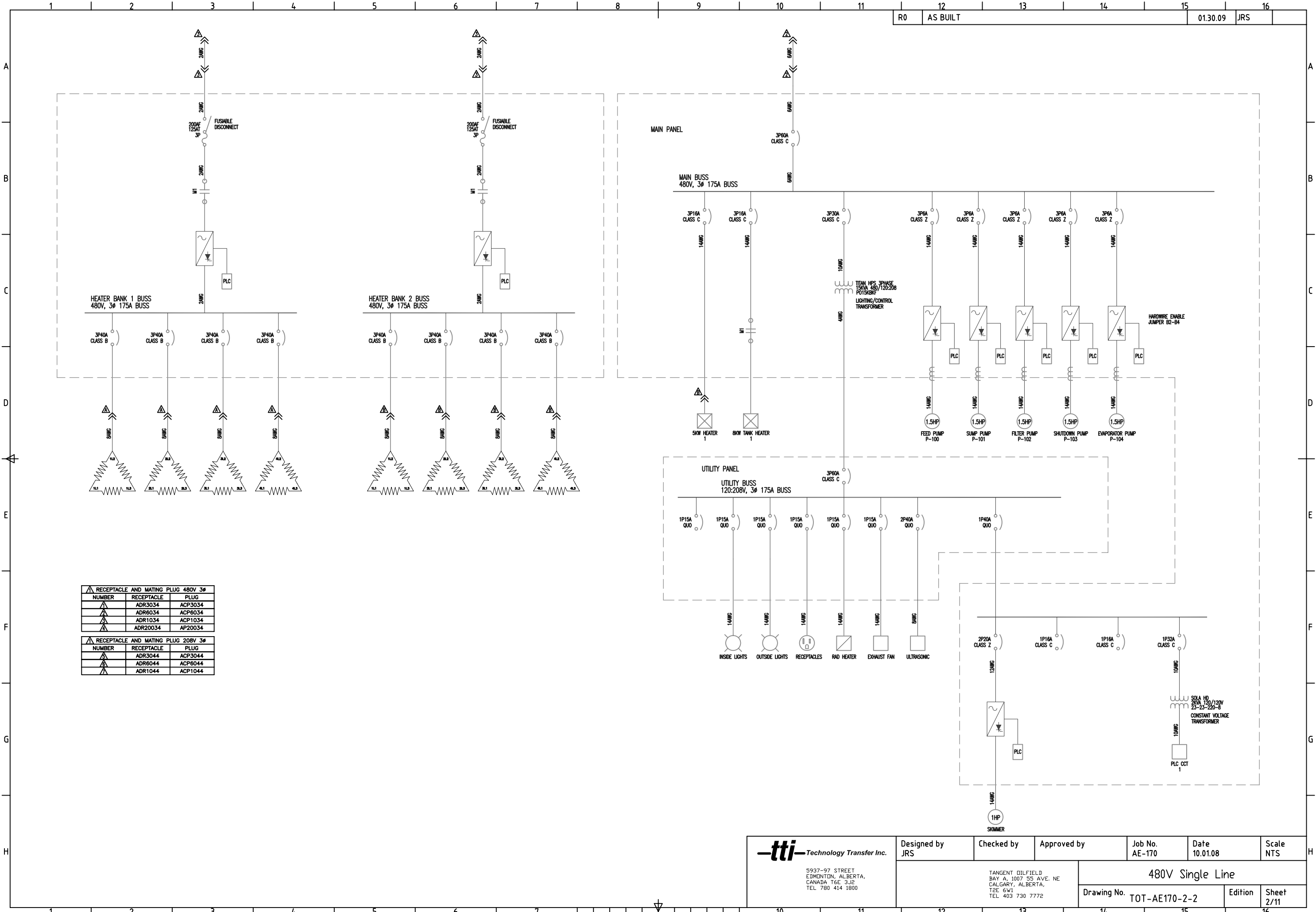
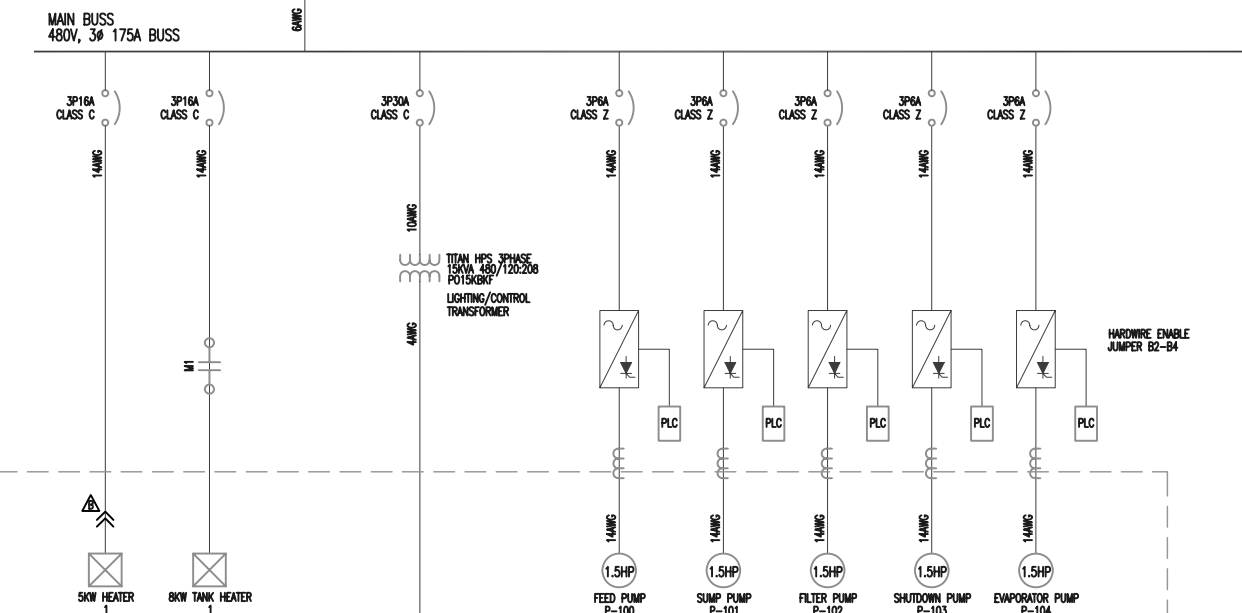


<p>5937-97 STREET EDMONTON, ALBERTA, CANADA T6E 3J2 TEL 780 414 1800</p>	Designed by JRS	Checked by JRS	Approved by - date	Job No. AE-170	Date 11.12.2008	Scale NTS
	<p>TANGENT OILFIELD BAY A, 1007 55 AVE. NE CALGARY, ALBERTA, T2E 6W1 TEL 403 730 7772</p>			<p>PROCESS DIAGRAM</p>		
Drawing No. TOT-AE170-2-1				Edition		Sheet 1/11



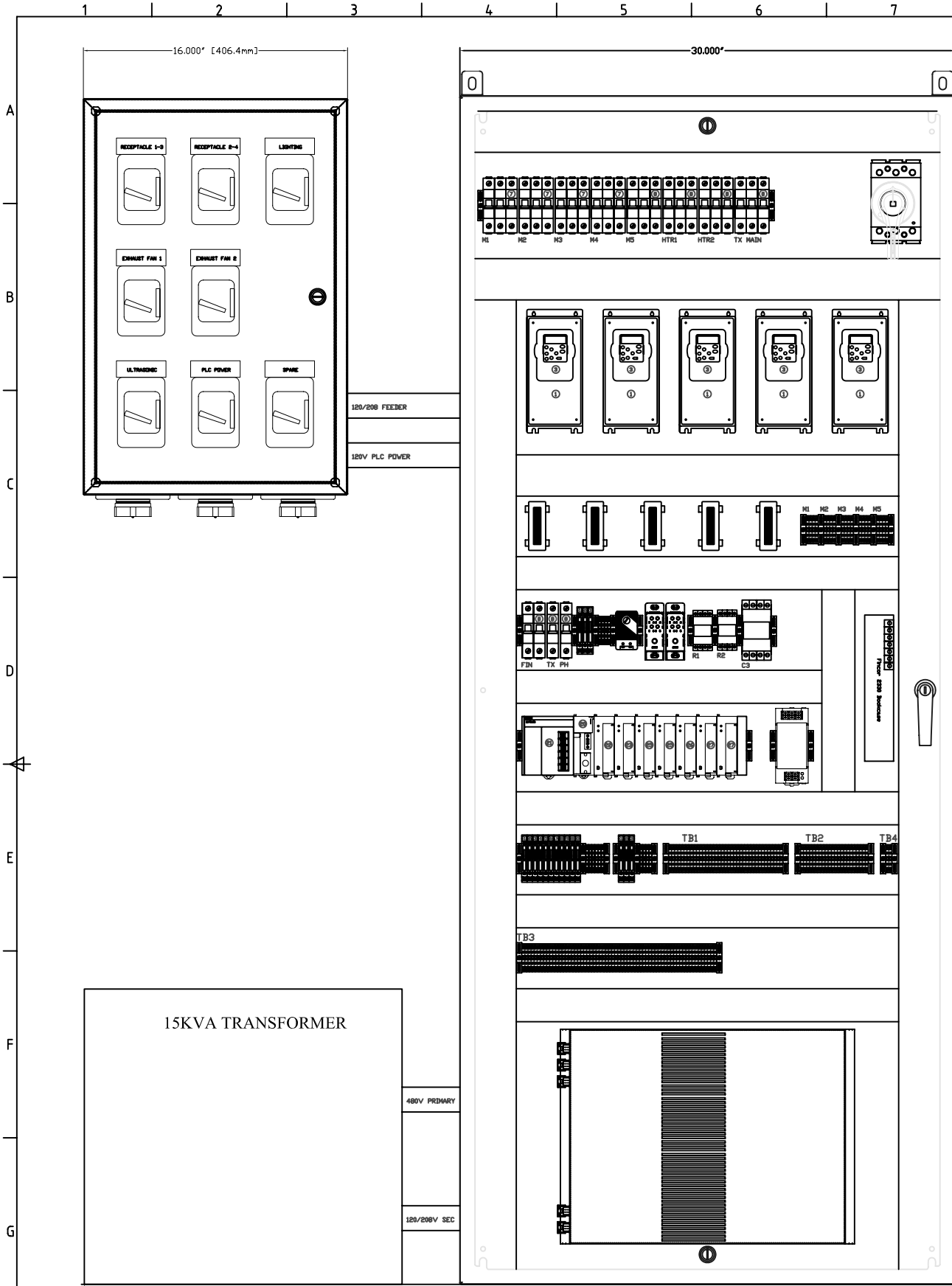
MAIN PANEL



RECEPTACLE AND MATING PLUG 480V 3 ϕ		
NUMBER	RECEPTACLE	PLUG
ADR3Q34	ACP3Q34	
ADR6Q34	ACP6Q34	
ADR1Q34	ACP1Q34	
ADR2Q34	AP2Q34	

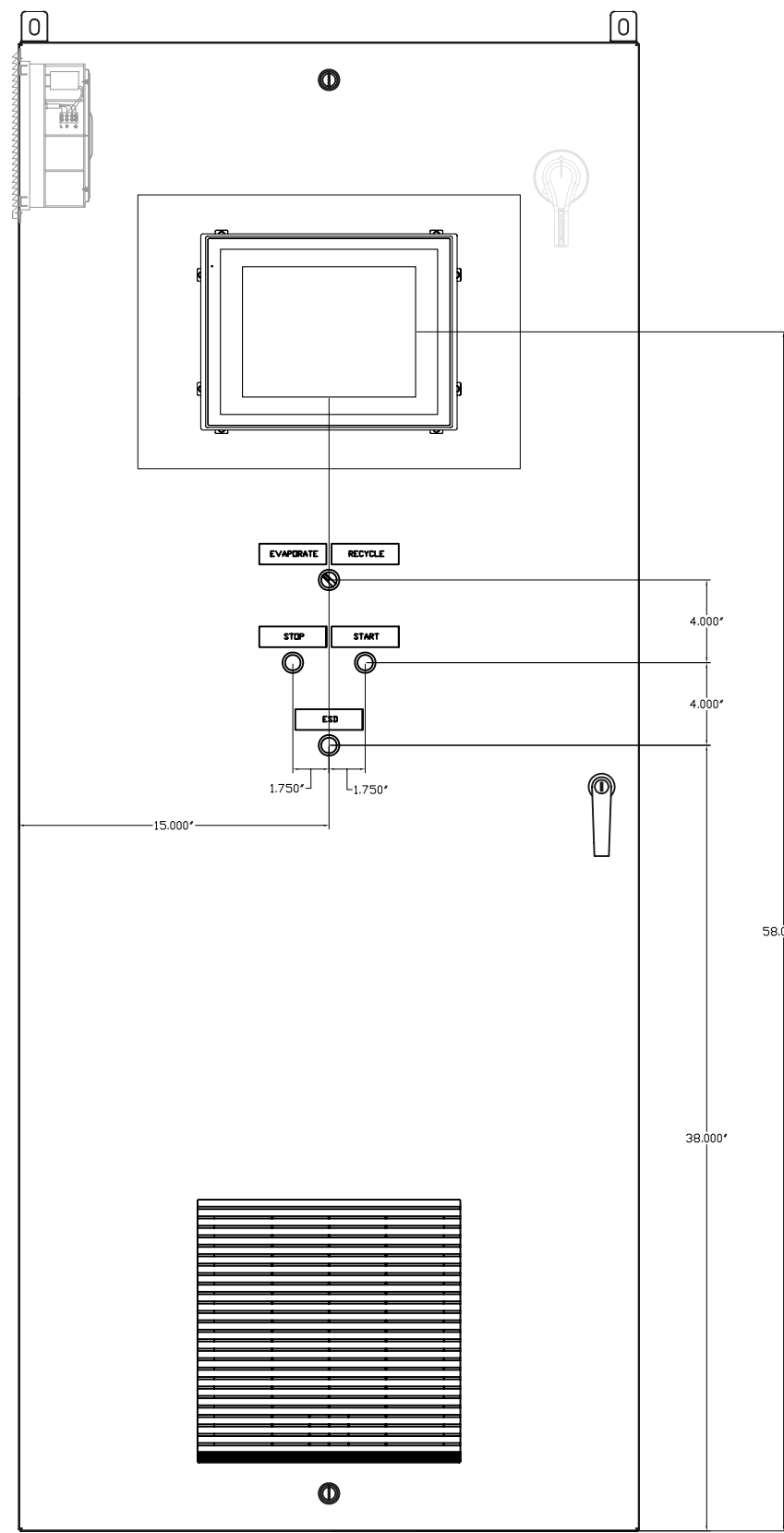
RECEPTACLE AND MATING PLUG 208V 3 ϕ		
NUMBER	RECEPTACLE	PLUG
ADR3Q44	ACP3Q44	
ADR6Q44	ACP6Q44	
ADR1Q44	ACP1Q44	

<p>5937-97 STREET EDMONTON, ALBERTA, CANADA T6E 3J2 TEL 780 414 1800</p>	Designed by JRS	Checked by	Approved by	Job No. AE-170	Date 10.01.08	Scale NTS
	TANGENT OILFIELD BAY A, 1007 55 AVE. NE CALGARY, ALBERTA, T2E 6W1 TEL 403 730 7772			480V Single Line Drawing No. TOT-AE170-2-2 Edition		Sheet 2/11

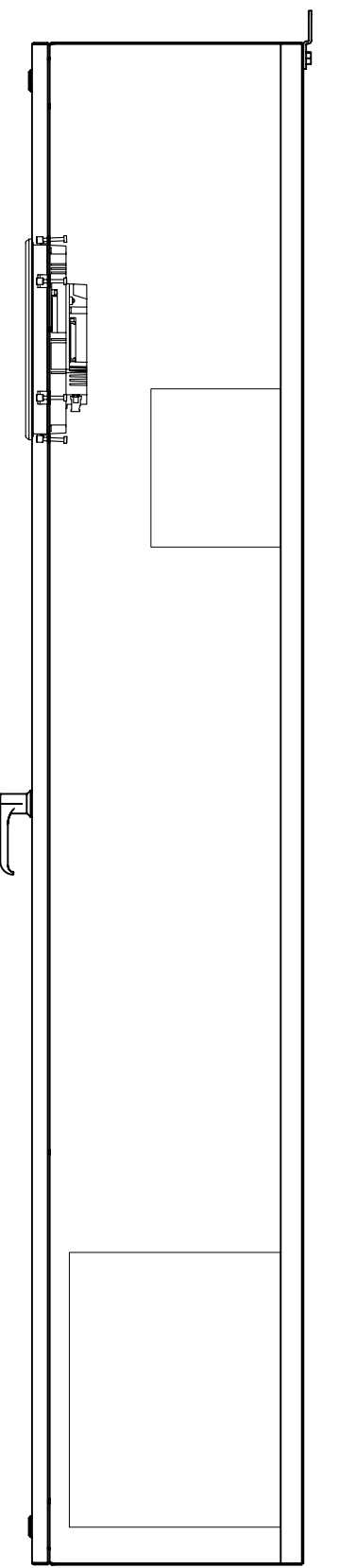


FRONT VIEW

- MOTORS & HEATER WIRING
- DC MOTOR WIRING
- INSTRUMENT WIRING

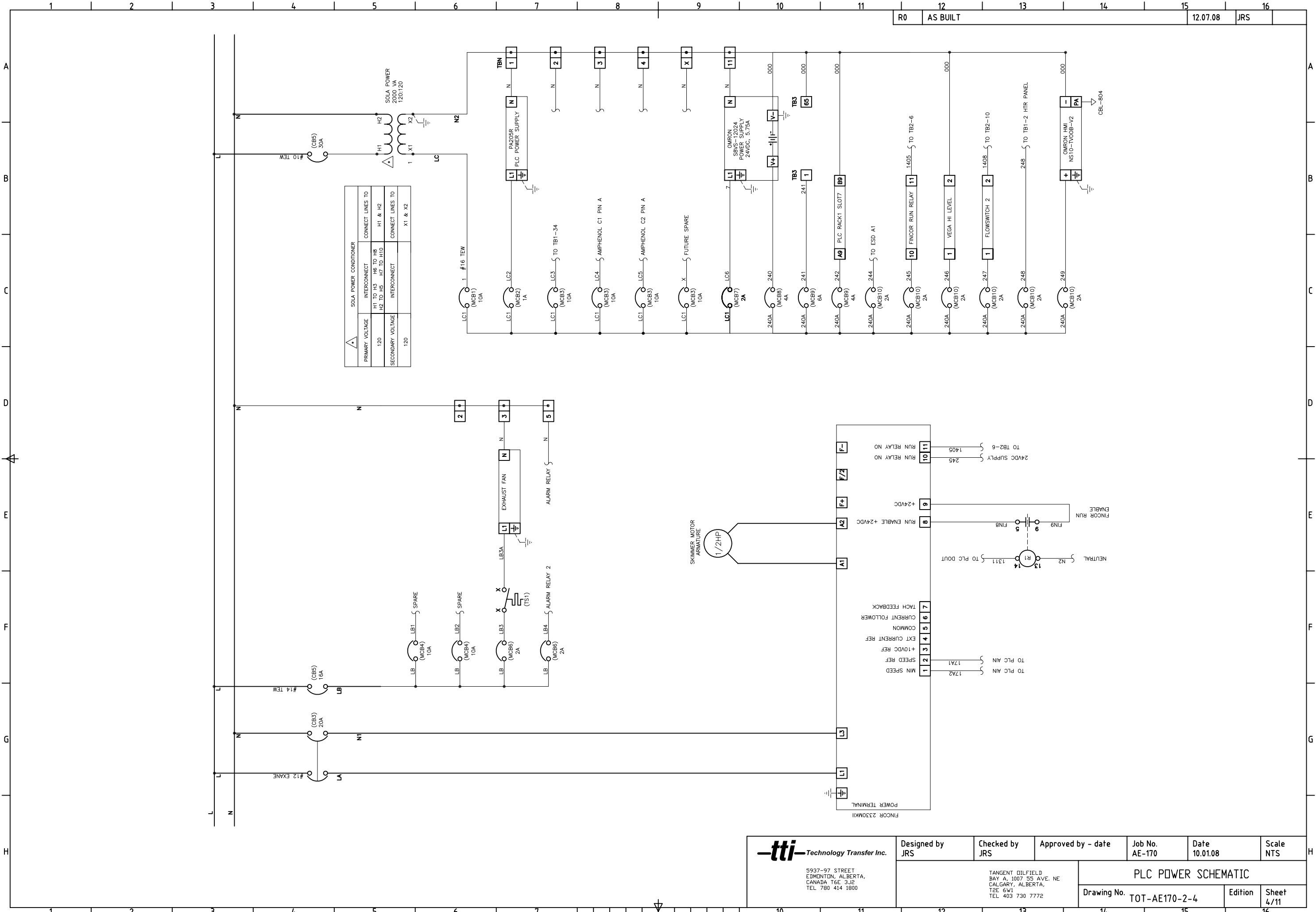


DOOR VIEW



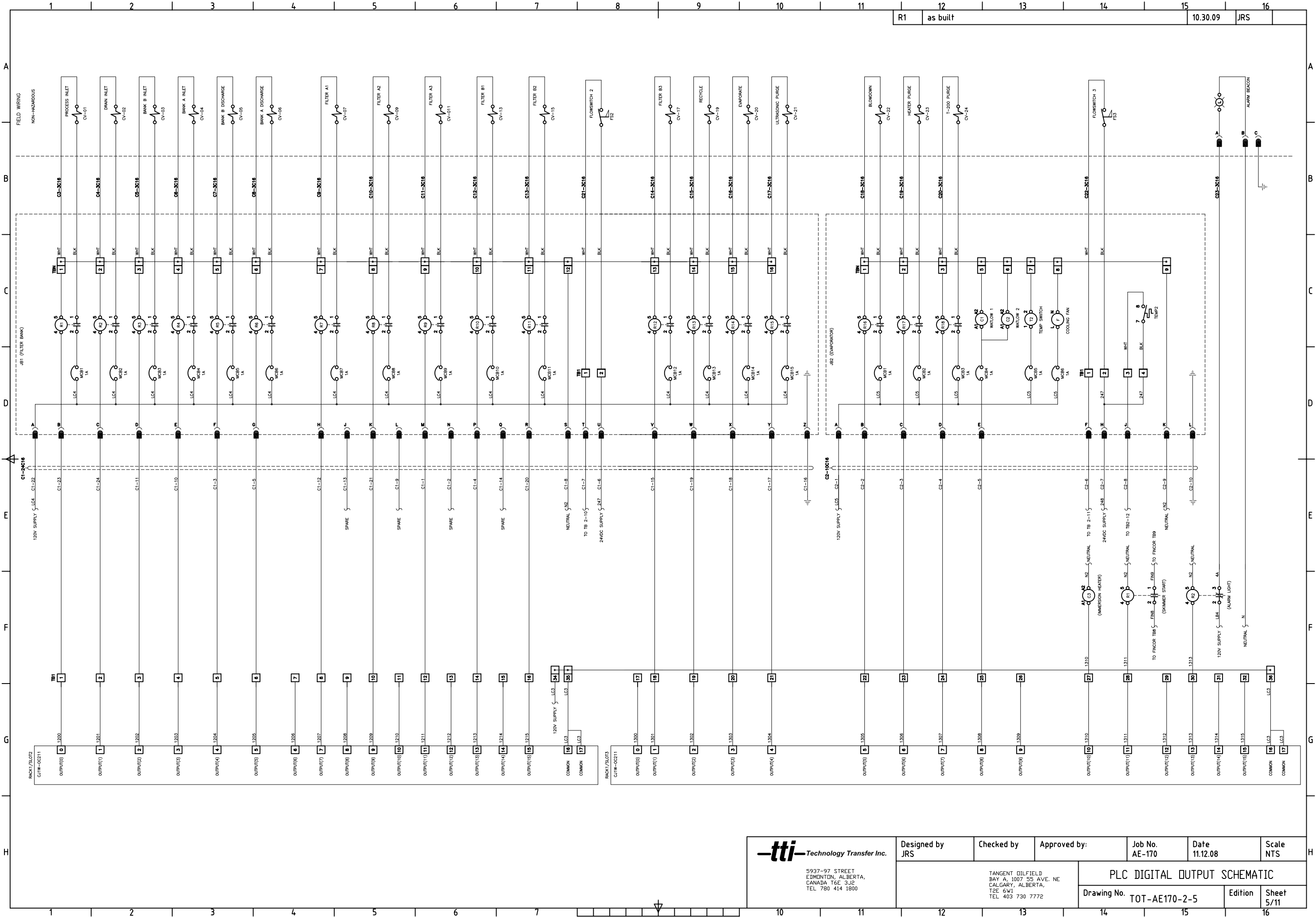
SIDE VIEW

-tti- Technology Transfer Inc. 5937-97 STREET EDMONTON, ALBERTA, CANADA T6E 3J2 TEL 780 414 1800	Designed by JRS	Checked by JRS	Approved by - date	Job No. AE-170	Date 07.10.08	Scale NTS
	TANGENT OILFIELD BAY A, 1007 55 AVE. NE CALGARY, ALBERTA, T2E 6W1 TEL 403 730 7772			MAIN PLC PANEL LAYOUT		Drawing No. TOT-AE170-2-3

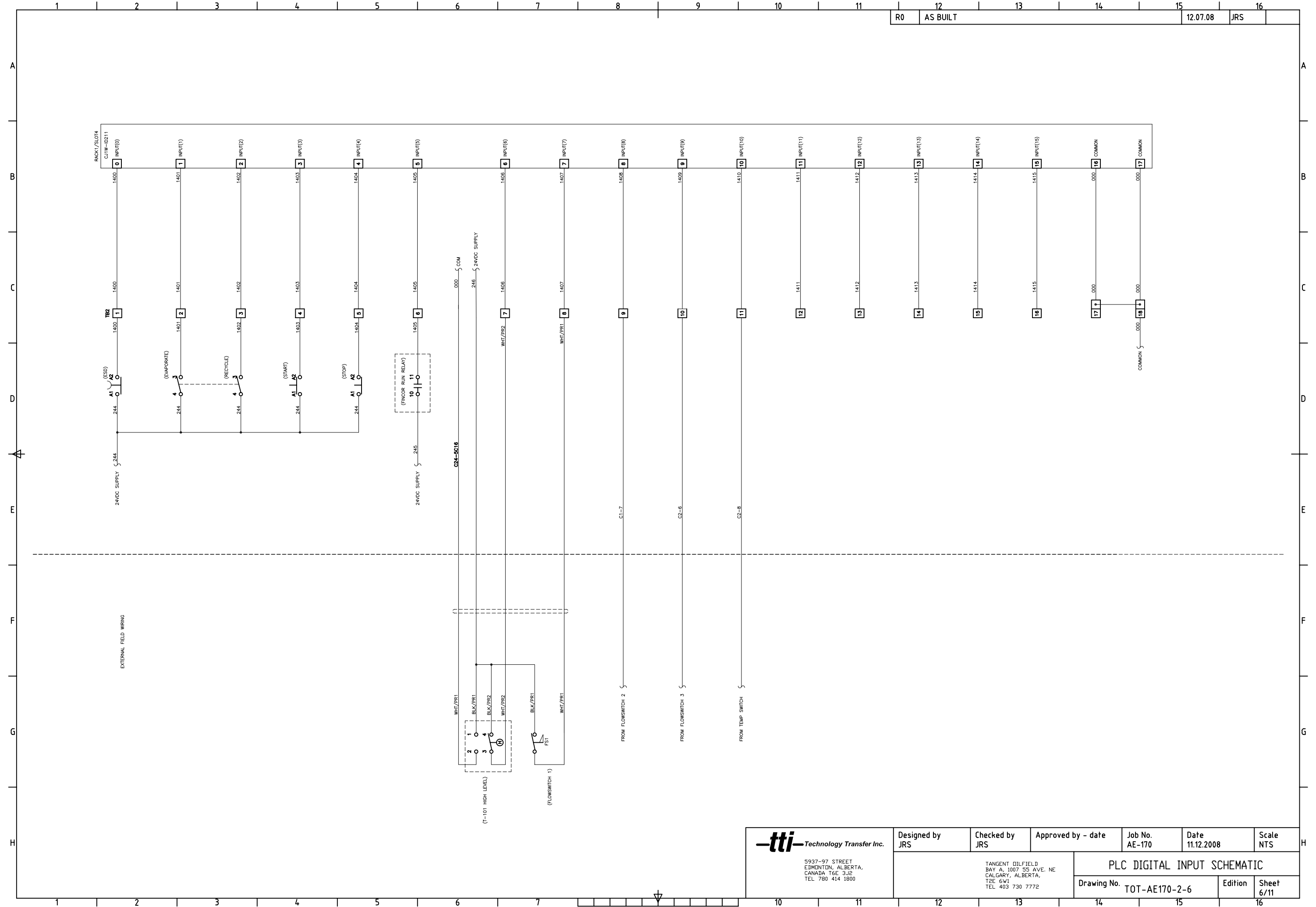


SOLA POWER CONDITIONER		
PRIMARY VOLTAGE	INTERCONNECT	CONNECT LINES TO
120	H1 TO H3 H2 TO H5	H6 TO H8 H7 TO H10
SECONDARY VOLTAGE	INTERCONNECT	CONNECT LINES TO
120		X1 & X2

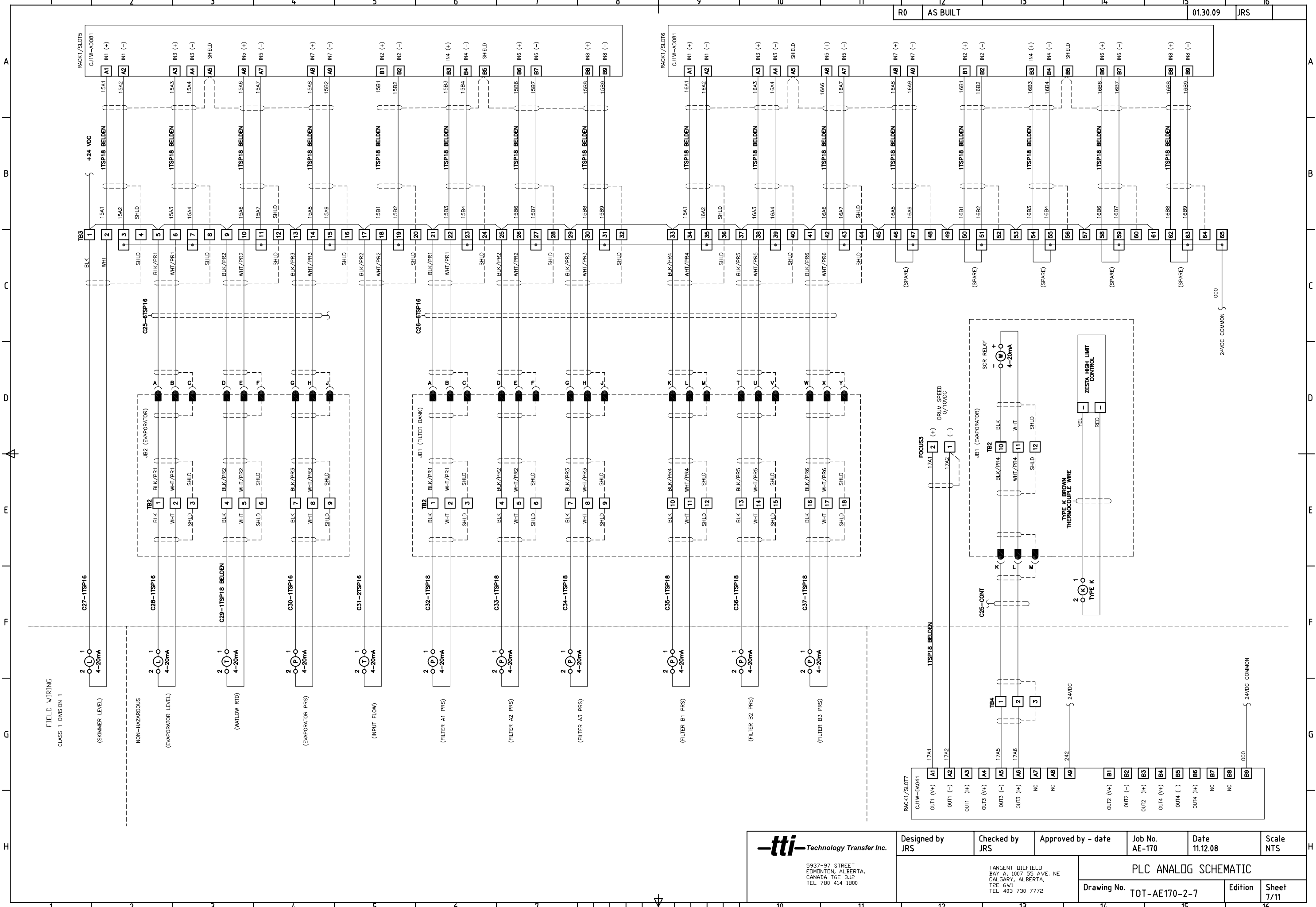
<p>5937-97 STREET EDMONTON, ALBERTA, CANADA T6C 3J2 TEL 780 414 1800</p>	Designed by JRS	Checked by JRS	Approved by - date	Job No. AE-170	Date 10.01.08	Scale NTS
	TANGENT OILFIELD BAY A, 1007 55 AVE. NE CALGARY, ALBERTA, T2E 6W1 TEL 403 730 7772			PLC POWER SCHEMATIC Drawing No. TOT-AE170-2-4		Edition Sheet 4/11



<p>5937-97 STREET EDMONTON, ALBERTA, CANADA T6E 3J9 TEL 780 414 1800</p>	Designed by JRS	Checked by	Approved by:	Job No. AE-170	Date 11.12.08	Scale NTS
	TANGENT OILFIELD BAY A, 1007 55 AVE. NE CALGARY, ALBERTA, T2E 6W1 TEL 403 730 7772			PLC DIGITAL OUTPUT SCHEMATIC Drawing No. TOT-AE170-2-5		Edition Sheet 5/11



<p>5937-97 STREET EDMONTON, ALBERTA, CANADA T6E 3J9 TEL 780 414 1800</p>	Designed by JRS	Checked by JRS	Approved by - date	Job No. AE-170	Date 11.12.2008	Scale NTS
	TANGENT OILFIELD BAY A, 1007 55 AVE. NE CALGARY, ALBERTA, T2E 6W1 TEL 403 730 7772			PLC DIGITAL INPUT SCHEMATIC Drawing No. TOT-AE170-2-6		Edition Sheet 6/11



FIELD WIRING
CLASS 1 DIVISION 1

(SKIMMER LEVEL)

NON-HAZARDOUS

(EVAPORATOR LEVEL)

(WATLOW RTD)

(EVAPORATOR PRS)

(INPUT FLOW)

(FILTER A1 PRS)

(FILTER A2 PRS)

(FILTER A3 PRS)

(FILTER B1 PRS)

(FILTER B2 PRS)

(FILTER B3 PRS)

-tti-Technology Transfer Inc.

5937-97 STREET
EDMONTON, ALBERTA,
CANADA T6E 3J2
TEL 780 414 1800

Designed by
JRS

Checked by
JRS

Approved by - date

Job No.
AE-170

Date
11.12.08

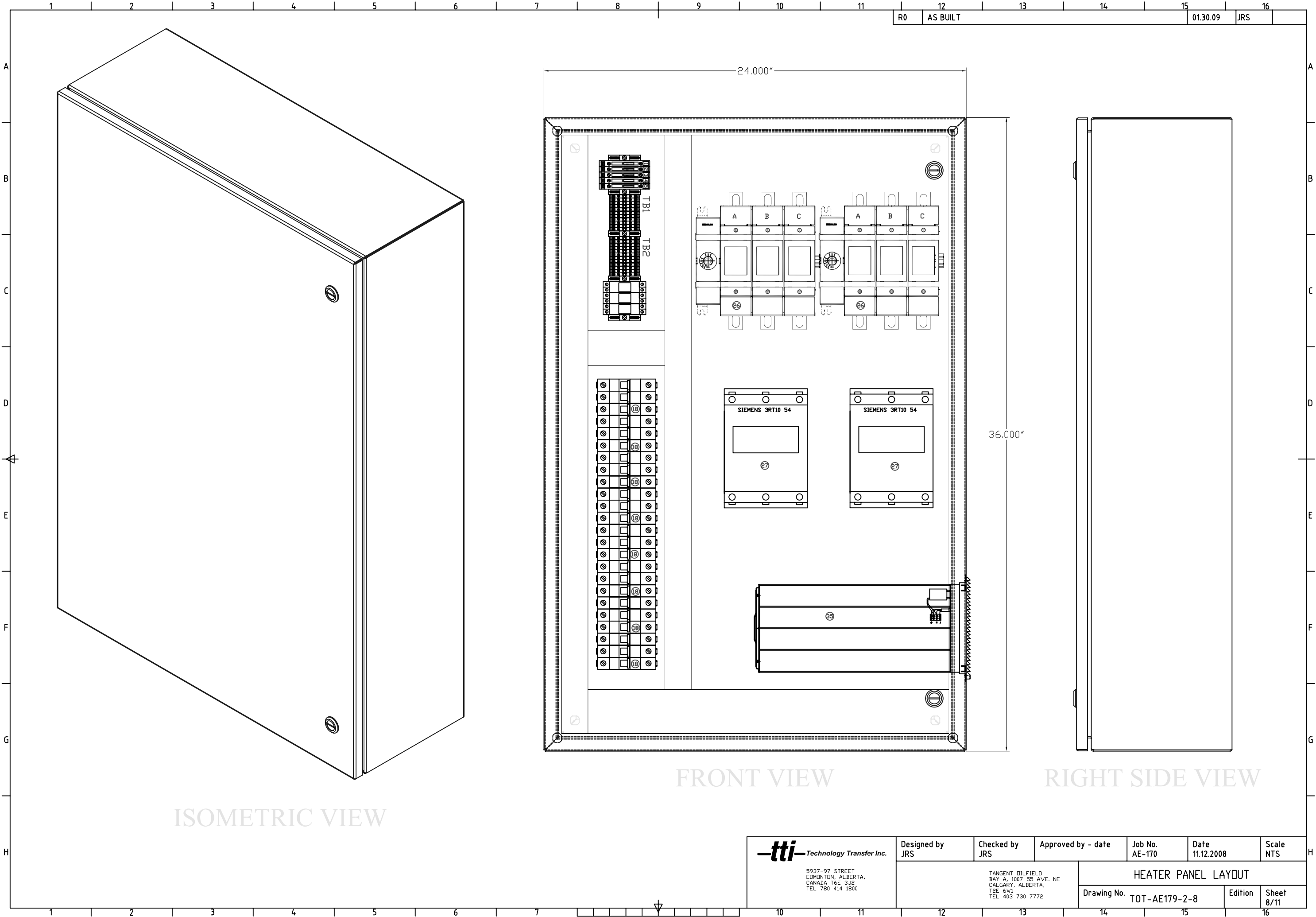
Scale
NTS

TANGENT OILFIELD
BAY A, 1007 55 AVE. NE
CALGARY, ALBERTA,
T2E 6W1
TEL 403 730 7772

PLC ANALOG SCHEMATIC

Drawing No.
TOT-AE170-2-7

Edition
Sheet
7/11

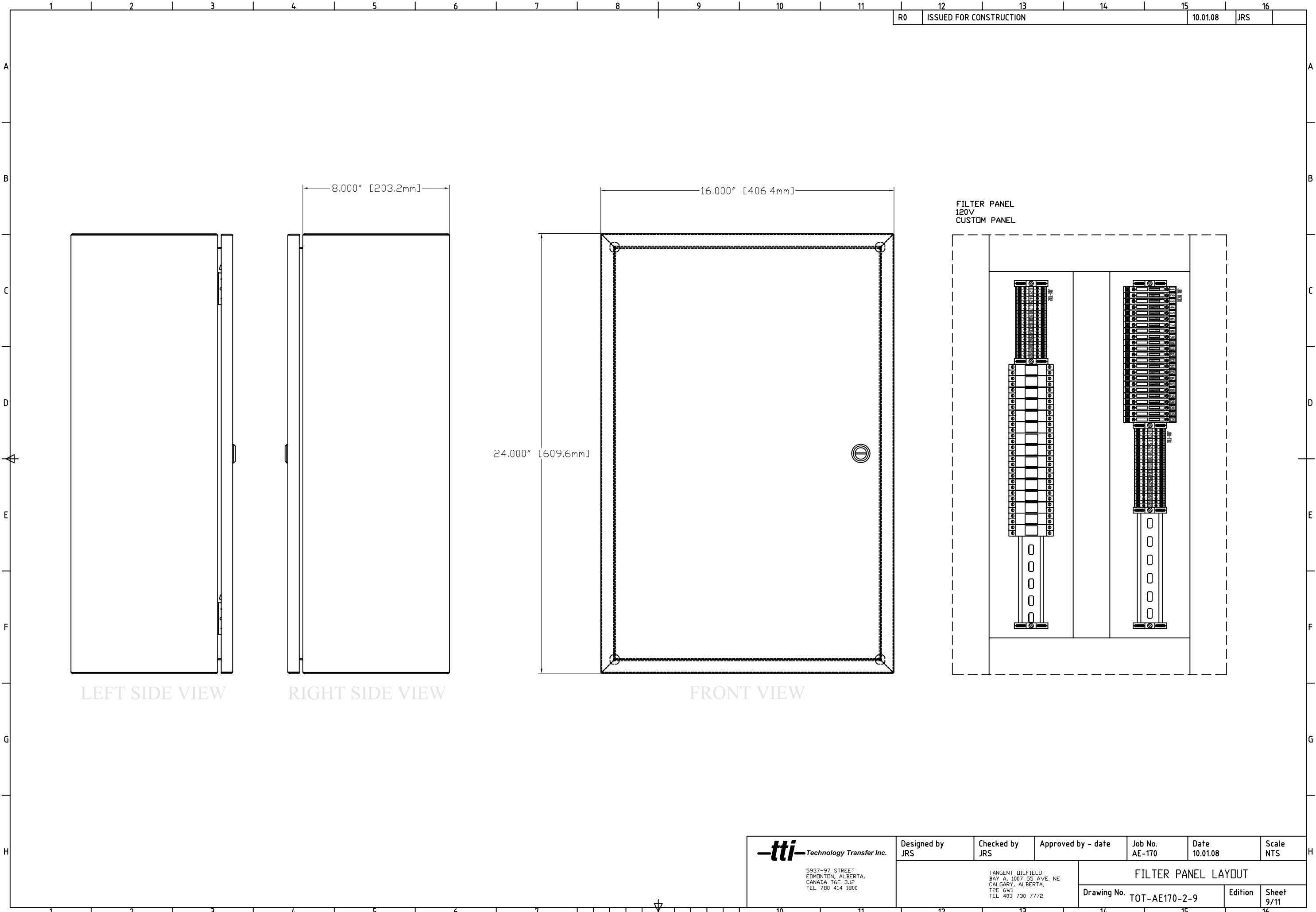


ISOMETRIC VIEW

FRONT VIEW

RIGHT SIDE VIEW

<p>5937-97 STREET EDMONTON, ALBERTA, CANADA T6E 3J2 TEL 780 414 1800</p>	Designed by JRS	Checked by JRS	Approved by - date	Job No. AE-170	Date 11.12.2008	Scale NTS
	HEATER PANEL LAYOUT			Drawing No. TOT-AE179-2-8	Edition	Sheet 8/11



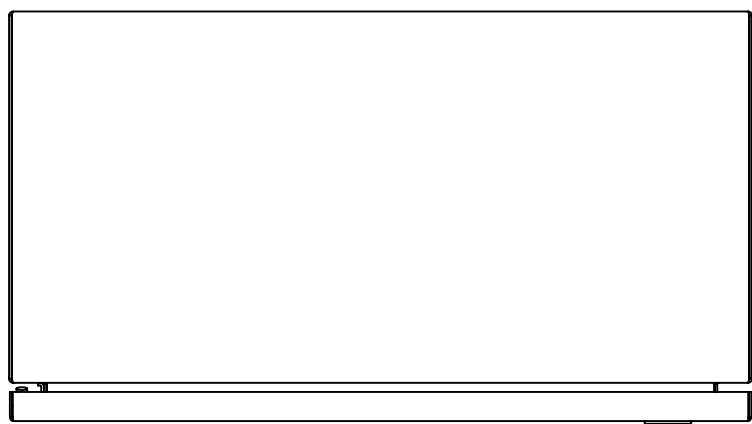
LEFT SIDE VIEW

RIGHT SIDE VIEW

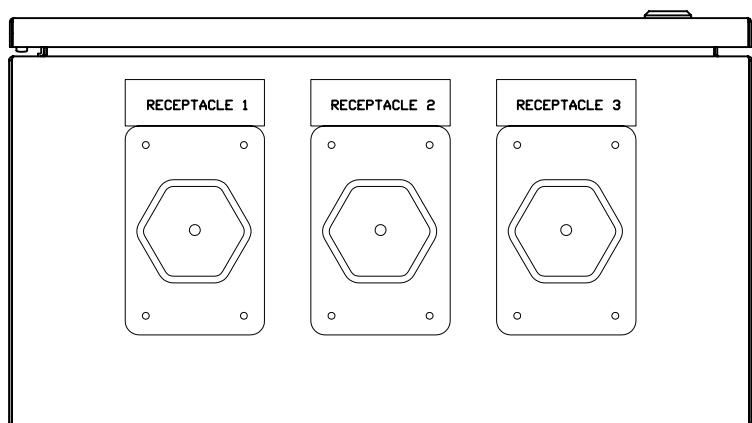
FRONT VIEW

FILTER PANEL
120V
CUSTOM PANEL

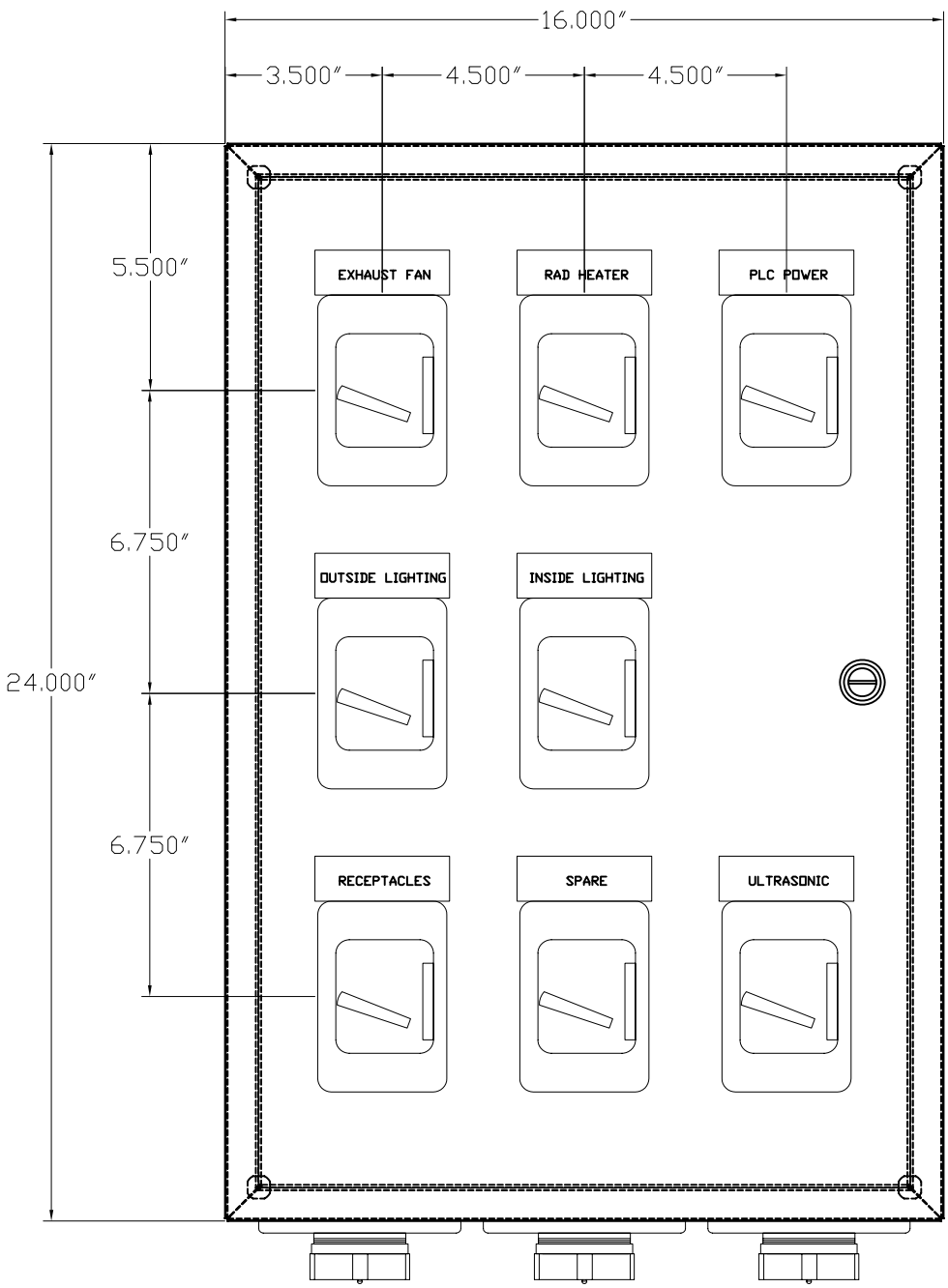
<p>5937-97 STREET EDMONTON, ALBERTA, CANADA T6E 3J2 TEL 780 414 1800</p>	Designed by JRS	Checked by JRS	Approved by - date	Job No. AE-170	Date 10.01.08	Scale NTS
	<p>TANGENT OILFIELD BAY A, 1007 55 AVE. NE CALGARY, ALBERTA, T2E 6W1 TEL 403 730 7772</p>			<p>FILTER PANEL LAYOUT</p>		
	Drawing No. TOT-AE170-2-9		Edition	Sheet 9/11		



TOP VIEW

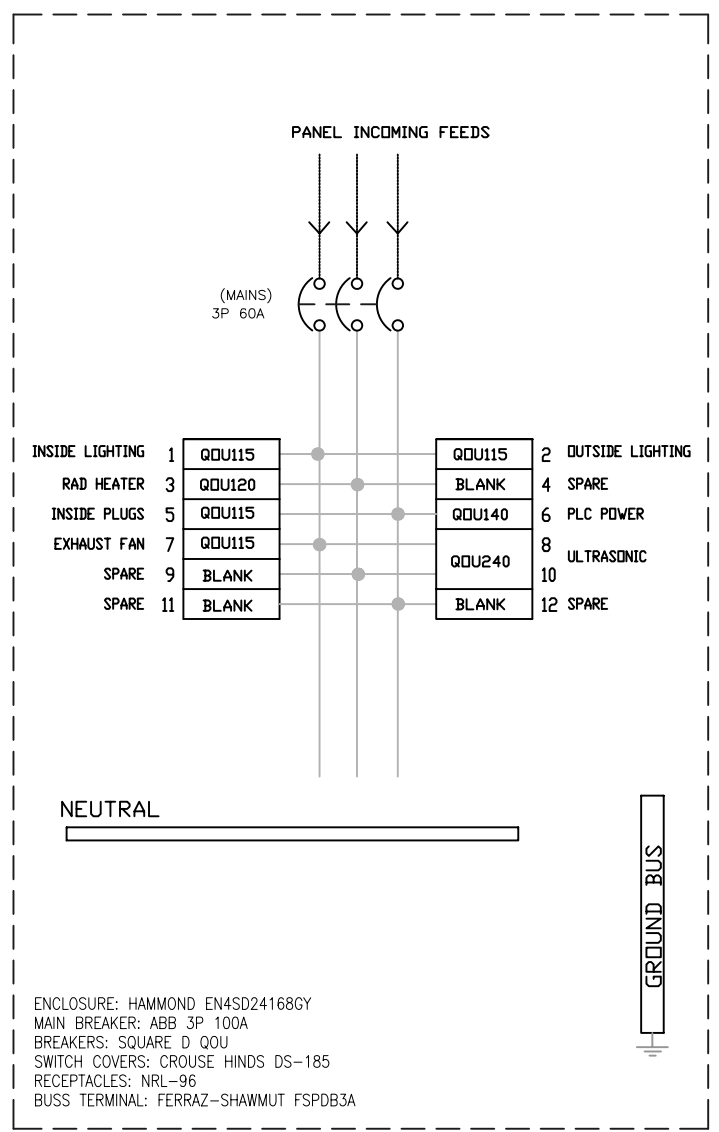


BOTTOM VIEW



FRONT VIEW

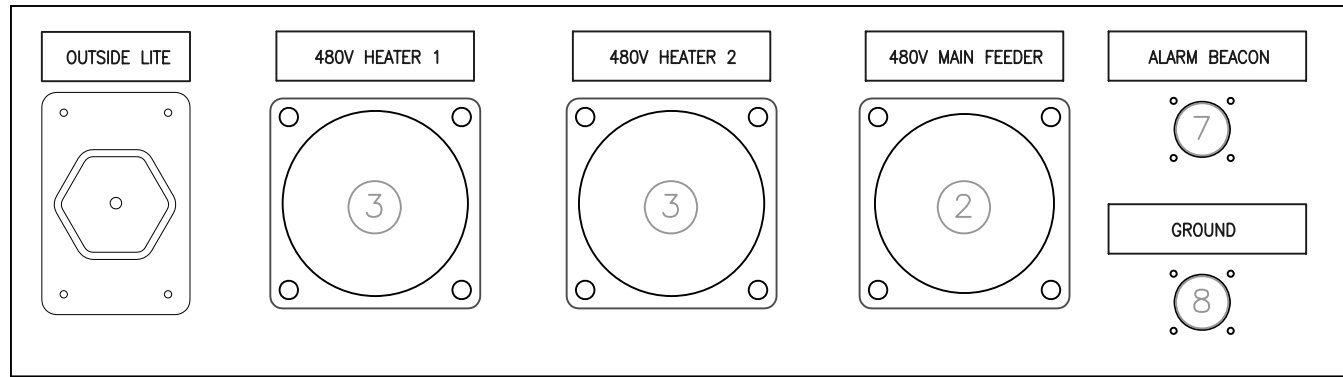
LIGHTING PANEL
208/120V
CUSTOM PANEL



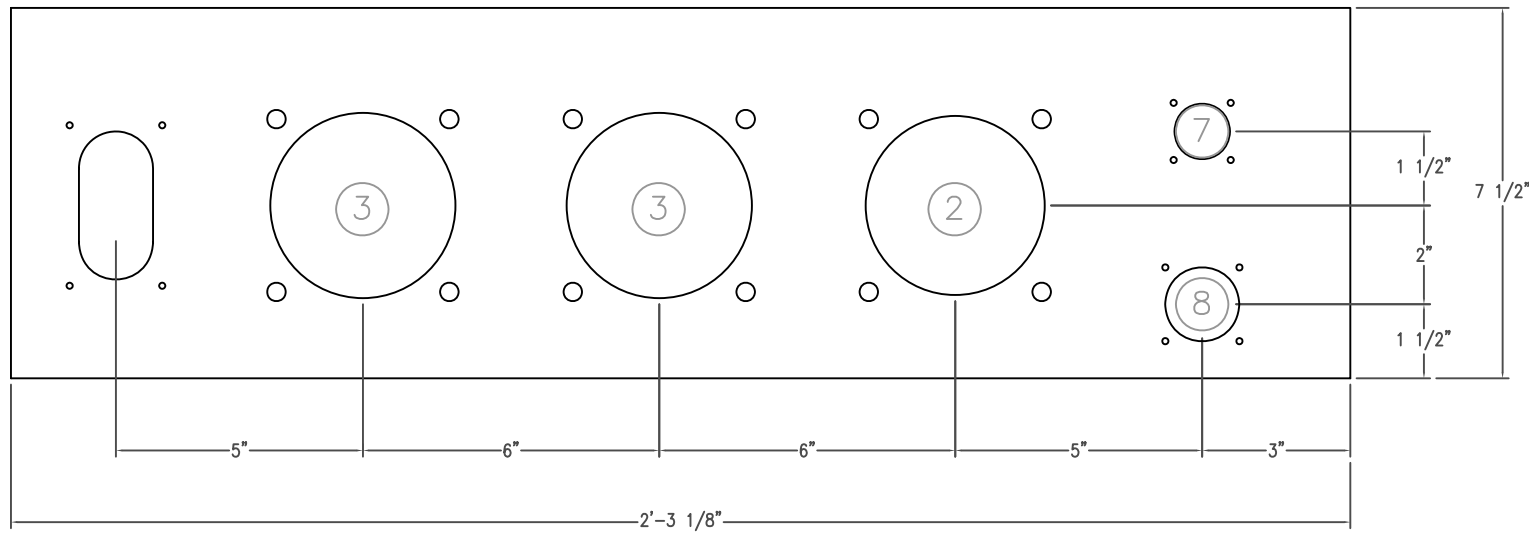
ENCLOSURE: HAMMOND EN4SD24168GY
 MAIN BREAKER: ABB 3P 100A
 BREAKERS: SQUARE D QDU
 SWITCH COVERS: CROUSE HINDS DS-185
 RECEPTACLES: NRL-96
 BUSS TERMINAL: FERRAZ-SHAWMUT FSPDB3A

 5937-97 STREET EDMONTON, ALBERTA, CANADA T6E 3J2 TEL 780 414 1800	Designed by JRS	Checked by JRS	Approved by - date	Job No. AE-170	Date 10.01.08	Scale NTS
	TANGENT OILFIELD BAY A, 1007 55 AVE. NE CALGARY, ALBERTA, T2E 6W1 TEL 403 730 7772			120:208 LIGHTING PANEL LAYOUT Drawing No. TOT-AE170-2-10		Edition Sheet 10/11

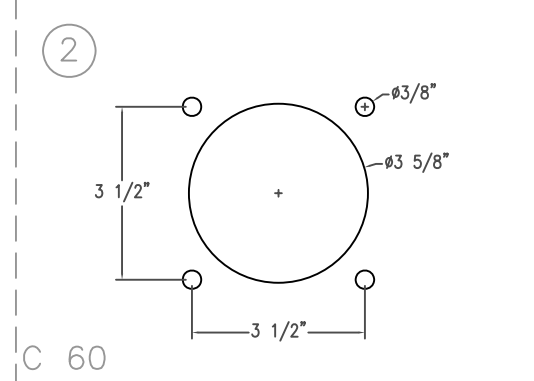
RECEPTACLE LAYOUT



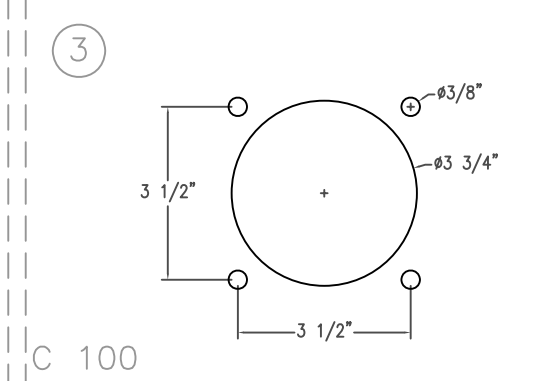
CUTOUT SPACING



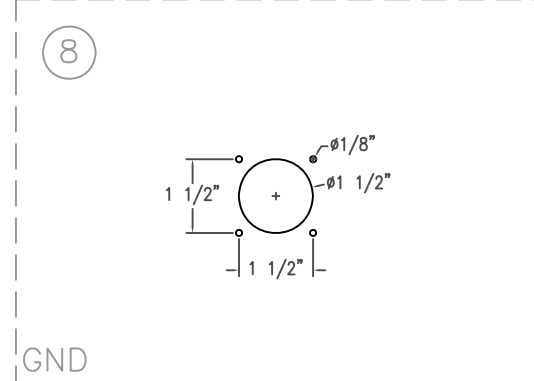
DETAIL



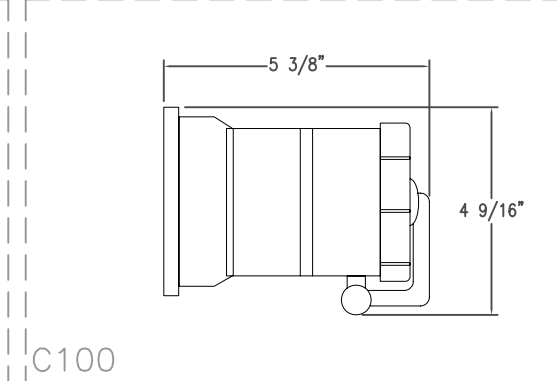
DETAIL



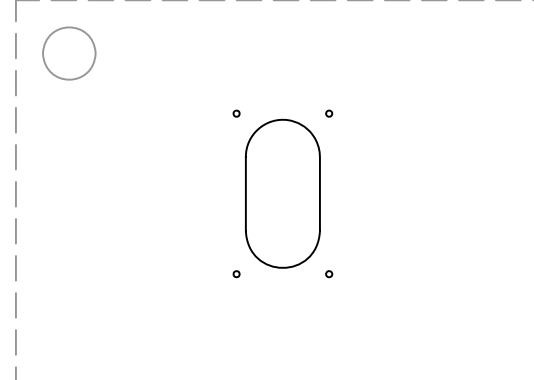
DETAIL



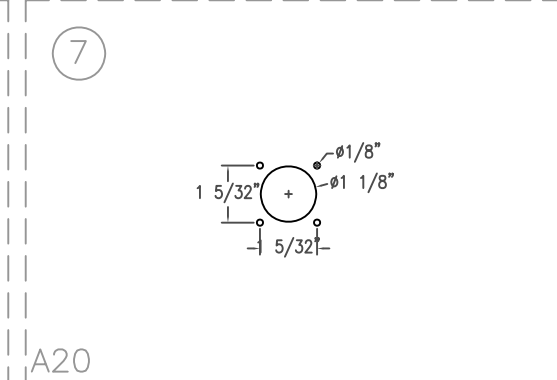
SIDE DETAIL



DETAIL



DETAIL



<p>5937-97 STREET EDMONTON, ALBERTA, CANADA T6E 3J2 TEL 780 414 1800</p>	Designed by JRS	Checked by JRS	Approved by - date	Job No. AE-170	Date 08/19/08	Scale NTS
	<p>TANGENT OILFIELD BAY A, 1007 55 AVE. NE CALGARY, ALBERTA, T2E 6W1 TEL 403 730 7772</p>			<p>PLUGBOARD LAYOUT</p>		
Drawing No. TOT-AE170-2-11				Edition		Sheet 11/11